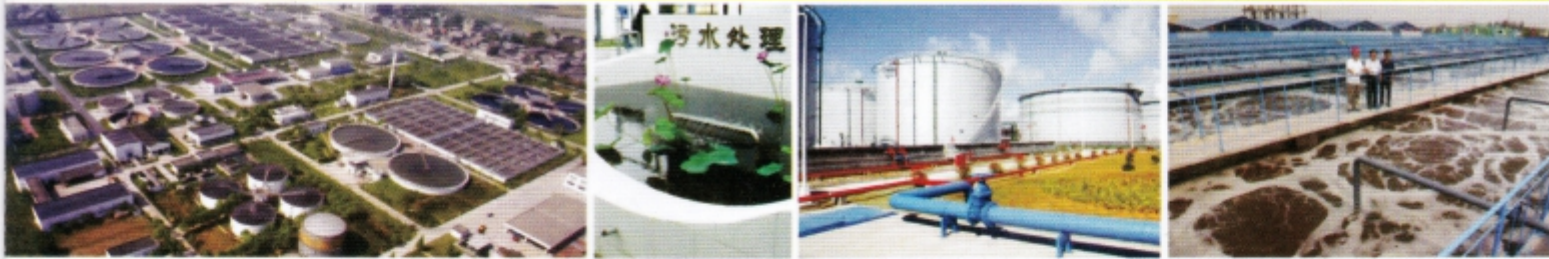




为了您的使用和安全，使用前请自吸阅读说明书

FOR YOUR SECURITY, READ THE INTRODUCTION CAREFULLY BEFORE USING



QXB 系列潜水离心式曝气机

QXB SERIES CENTRIFUGAL TYPE SUBMERSIBLE AERATOR



永嘉县弘凌泵阀有限公司

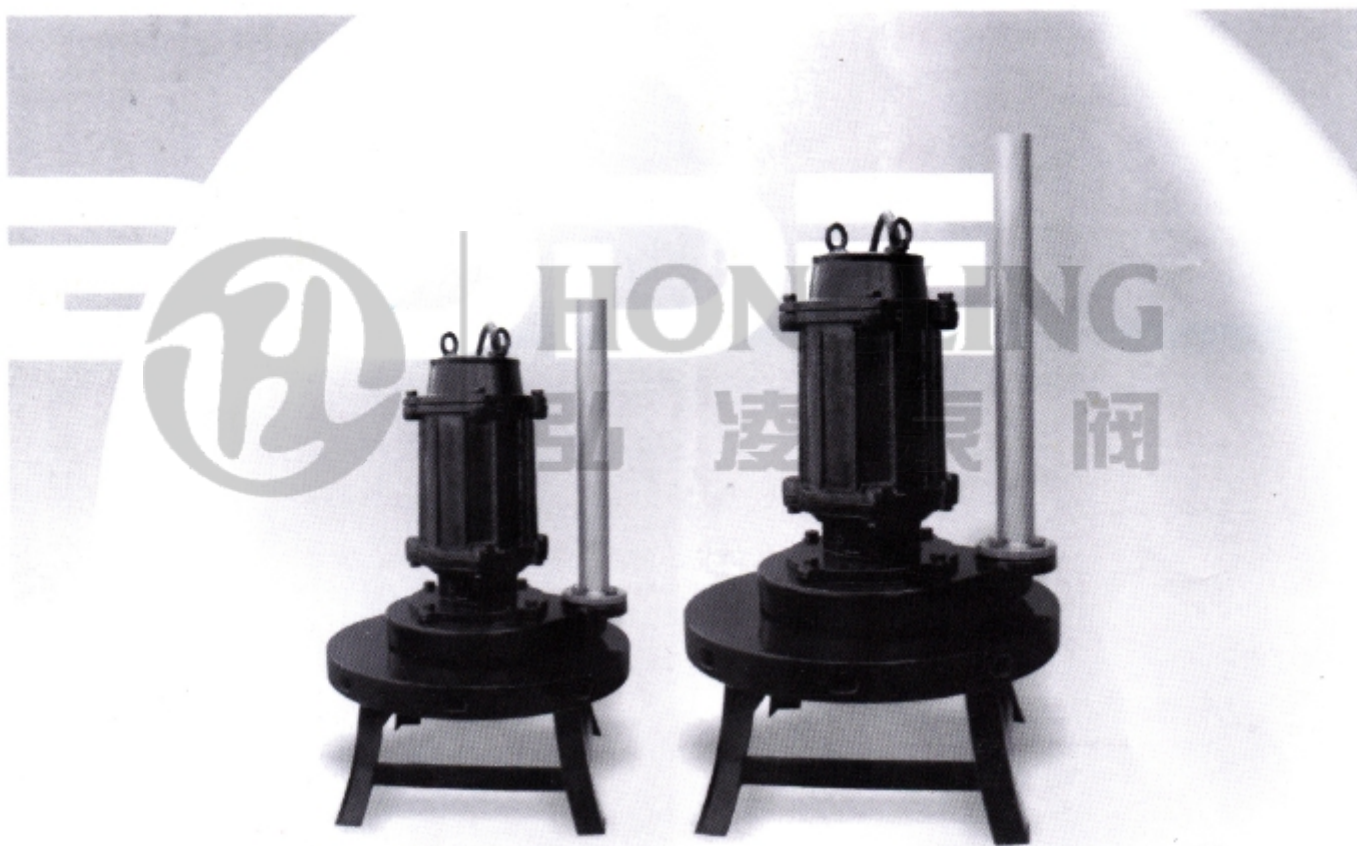
QXB 系列潜水离心式曝气机

QXB SERIES CENTRIFUGAL TYPE SUBMERSIBLE AERATOR

工作原理 Operating Principle

QXB型产品为自吸式曝气，直联式结构。旋转的叶轮产生的离心力，在叶轮的进口处形成负压吸入空气和水，利用叶轮的动能在混合室里将一定比例的气水混合，在强大的离心力下，气水二相流沿叶轮的切线方向经流道整流后，向圆周方向扩散，细碎的微小气泡充分与水融合，从而达到充氧曝气的效果。

Model QXB products belong to the aeration of the self suction type, The centrifugal force produced by the rotating vanes form the negative pressure at the inlet of the vanes for sucking air and water, The dynamic energy of the vanes is used to mix air and water of certain proportion in the mixing chamber, Under the powerful centrifugal force, the two-phase air and water flow diffuses to the direction of circumference after the rectification via the flow path along the tangential direction of the vanes. The very small broken-air bubbles will be fully merged with water so as to obtain the effect of oxygen-filling aeration.



QXB 系列潜水离心式曝气机 Centrifugal Type Submersible Aerator

用途 Usage

QXB型潜水离心式曝气机，适用于各种污水的生化处理工艺中，作为曝气兼搅拌的专用设备。

Model QXB centrifugal type submersible aerator can be used as a special equipment for aeration and mixing suitable for the bio-chemical treatment process with relation to various types of sewage water.

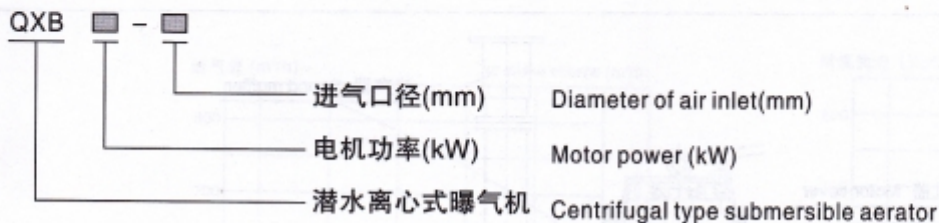
QXB 系列潜水离心式曝气机

QXB SERIES CENTRIFUGAL TYPE SUBMERSIBLE AERATOR

QXB 系列潜水离心式曝气机

QXB SERIES CENTRIFUGAL TYPE SUBMERSIBLE AERATOR

型号表示 Model Denotation



结构特点 Structural Characteristics

- 1、自重定位，安装方便，可在不中断工艺运行的状态下自由布置；
- 2、设计结构紧凑，利用自吸功能无需外接气源；
- 3、主机潜水作业减少占地面积，噪音小；
- 4、可直接在氧化塘中使用，节省基建成本；
- 5、独立移动的曝气装置，曝气时兼有搅拌功能；
- 6、底盘可根据用户要求作特殊设计；

1、 Positioning is made with its own weight to facilitate convenient installation; and free arrangement can be made without interrupting the technological operations.

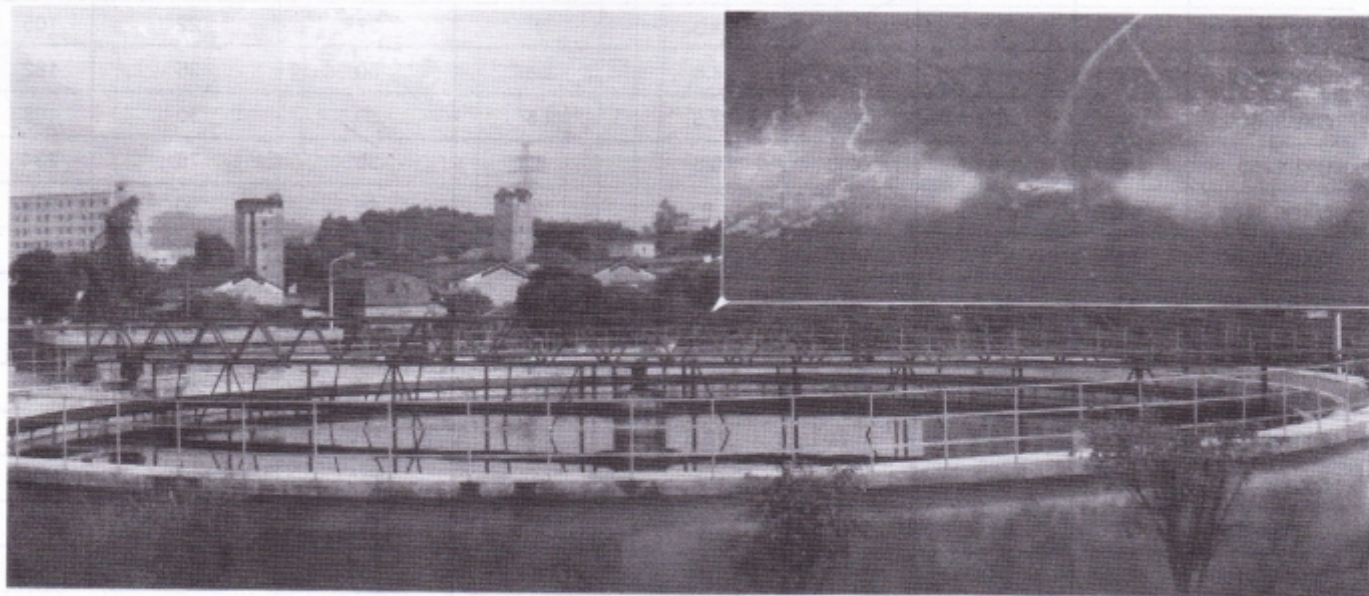
2、 The designed structure is compact; and use is made of its self-suction function with no need to connect any external air sources.

3、 The main equipment operates under the water surface, leading to the reduction the occupied land and low noise.

4、 The equipmng can be directly used in the oxidation to pone for saving the building cost .

5、 The aerating equipmng of the mobile type can also be used as a mixer.

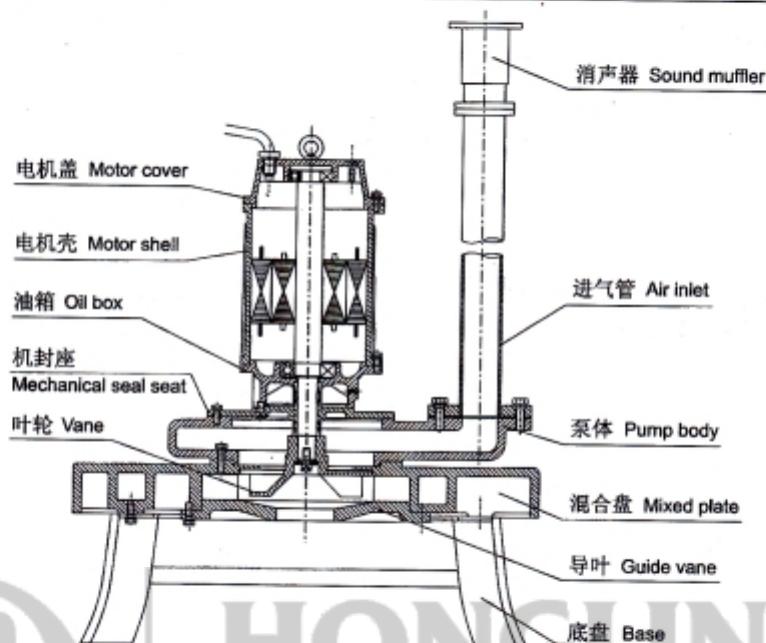
6、 The base can be specifically designed in accordance with the demand of the usersl.



QXB 系列潜水离心式曝气机

QXB SERIES CENTRIFUGAL TYPE SUBMERSIBLE AERATOR

结构图 Structural Drawing



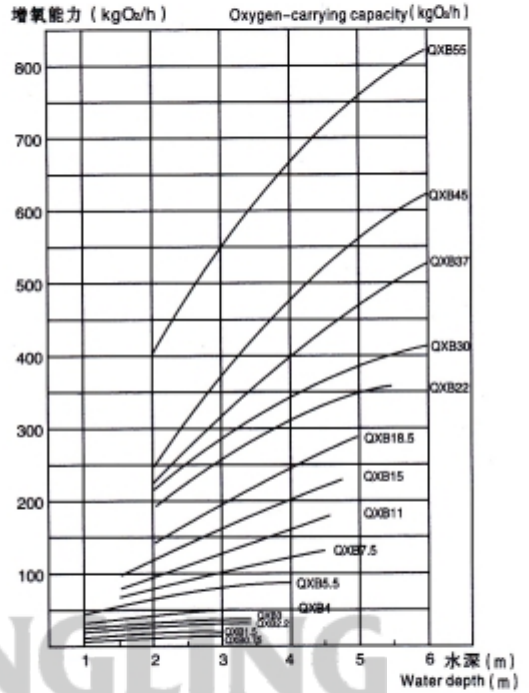
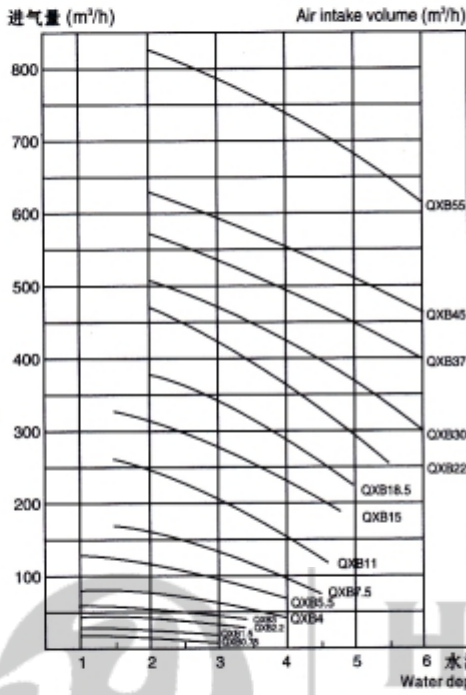
性能参数 Performance Parameters

型号 Model	功率 Power (kw)	额定电流 Rated current (A)	叶轮转速 Vane RPM (r/min)	服务范围 Service scope φ (m)	最大潜水深度 Maximum depth of submersion (m)	空气吸入管径 Diameter of air-sucking tube (mm)	进气量 Maximum volume of air intake (m ³ /h)	重量 Weight (kg)
QXB0.75-32	0.75	2	1390	2.8	2	32	10	62
QXB1.5-32	1.5	3.7	1400	3.5	3	32	22	105
QXB2.2-50	2.2	4.9	1430	4.8	3.5	50	35	182
QXB3-50	3	6.8	1430	5.5	3.5	50	50	198
QXB4-50	4	9	1440	6.5	4	50	75	234
QXB5.5-65	5.5	11	1440	8	4	65	90	298
QXB7.5-80	7.5	15	1440	10	4.5	80	100	318
QXB11-80	11	22.6	1460	11	4.6	80	160	382
QXB15-100	15	30.3	1460	12	4.8	100	200	413
QXB18.5-100	18.5	36	1470	12.5	5	100	260	476
QXB22-100	22	43.2	1470	13.5	5.5	100	320	495
QXB30-150	30	56.8	1470	16	6	150	385	1200
QXB37-150	37	69.8	1480	16	6	150	450	1296
QXB45-150	45	84.2	1480	16	6	150	520	1380
QXB55-150	55	103	1480	16	6	150	630	1430

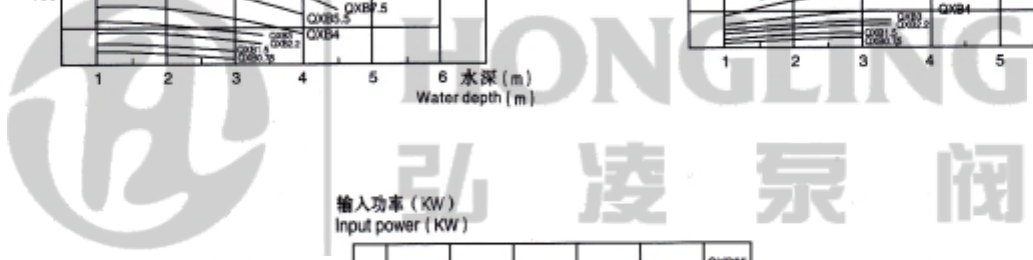
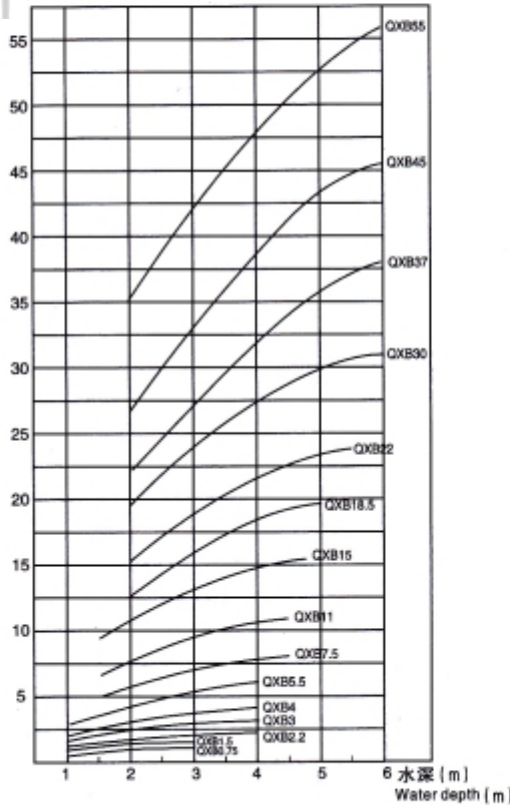
QXB 系列潜水离心式曝气机

QXB SERIES CENTRIFUGAL TYPE SUBMERSIBLE AERATOR

性能曲线 Performance Curves



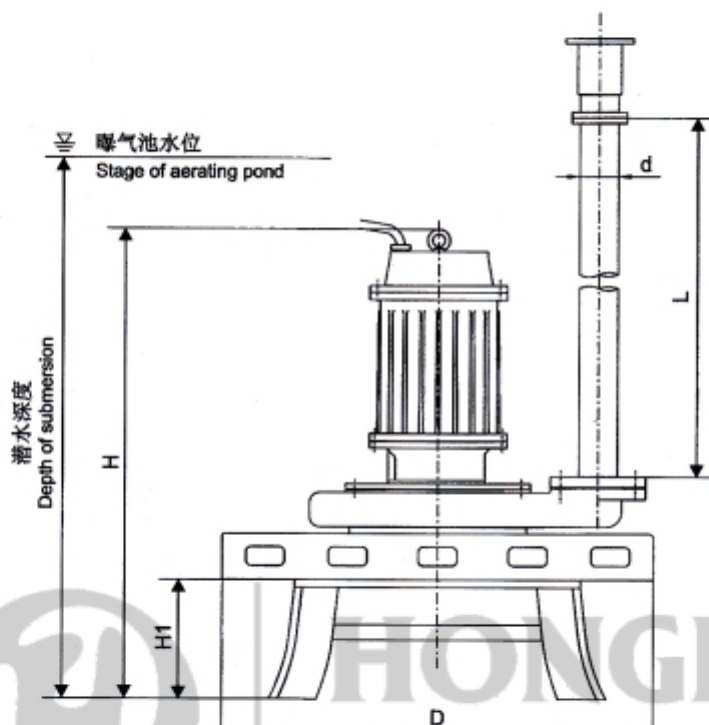
输入功率 (KW) Input power (KW)



QXB 系列潜水离心式曝气机

QXB SERIES CENTRIFUGAL TYPE SUBMERSIBLE AERATOR

外形及尺寸 Outside Appearance And Dimensions



型号 Model	外型尺寸 Outside Dimension (mm)				
	H1	L	D	d	H
QXB0.75-32	200	2000	480	32	600
QXB1.5-32	200	3000	600	32	630
QXB2.2-50	250	3300	710	50	680
QXB3-50	250	3300	710	50	720
QXB4-50	250	3800	710	50	810
QXB5.5-65	300	3800	830	65	980
QXB7.5-80	300	4300	830	80	980
QXB11-80	350	5000	1020	80	1000
QXB15-100	350	5000	1020	100	1000
QXB18.5-100	400	5500	1020	100	1050
QXB22-100	400	6000	1020	100	1050
QXB30-150	450	6000	1150	150	1100
QXB37-150	450	6000	1150	150	1100
QXB45-150	450	6500	1150	150	1150
QXB55-150	450	6500	1150	150	1150

QXB 系列潜水离心式曝气机

QXB SERIES CENTRIFUGAL TYPE SUBMERSIBLE AERATOR

选型需提供的资料 Data Required for Model Selection

- 1、需氧量 (kgO_2/h) ;
- 2、曝气池形状、尺寸及水深 (m)
- 3、曝气池水质状况 (如温度、BOD5、COD) 等) 。

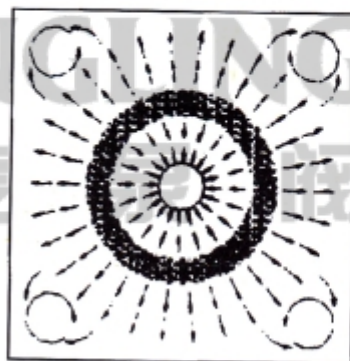
- 1、Oxygen demand (KgO_2/h)
- 2、Shape, dimensions and water depth (m) of the aeration pond.
- 3、Water quality Conditions of the aeration pond (e.g., temperature, BOD5, COD, etc.)

推荐布置选型 Recommended Arrangement for Model Selection

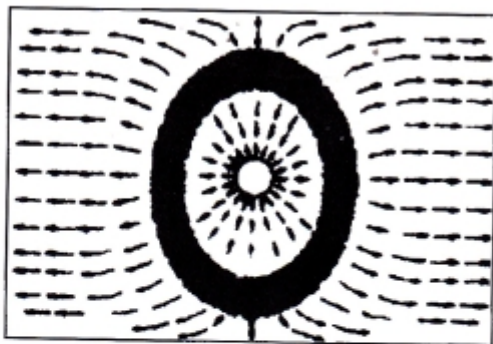
圆形池 Circular pond



方形池 Square pond



长方形池 (长:宽 < 1.5:1 >)
Rectangular pond (length:width < 1.5: 1)



长方形池 (长:宽 < 2:1 >)
Rectangular pond (length:width < 2: 1)

